

The GNS 5851 StarterKit has been designed to support developers during design-in of the GNS 5851 stand-alone module solution.

## Introduction

**This Quick Guide is a short summary of the most important features of the GNS5851 StarterKit. The complete User Guide is currently not yet available and will be completed shortly.**

This manual shows how to connect the GNS5851 StarterKit to a PC in order to verify GNS 5851 **AIS Receiver** module performance and test supported features.

For technical specification, please refer to the **GNS5851\_AIS\_receiver\_datasheet**.

Connected to a PC, all AIS NMEA Data is routed to the Mini-USB port.

## GNS 5851 StarterKit Features

- Power supply via Mini-USB socket
- Access to all signals of the GNS 5851 via pin header contacts.
- PC data connection via the integrated USB to UART converter or direct access to the serial interface (3.3V) of the GNS 5851 for connection to other data processing devices.
- SMA antenna connector for 162MHz VHF RF In
- AIS "Frame Indicator" LED provides optical reception indication

**Index**

<b>Introduction .....</b>	<b>2</b>
<b>1 Description of the GNS 5851 StarterKit .....</b>	<b>4</b>
<b>2 USB Driver Installation.....</b>	<b>5</b>
2.1 Windows 10 .....	5
2.2 Linux.....	5
2.3 MacOS.....	5
<b>3 GNS5851 StarterKit Board Layout .....</b>	<b>6</b>
<b>4 GNS5851 StarterKit Board Block Diagram .....</b>	<b>8</b>
4.1 Getting started .....	8
<b>5 GNS5851 StarterKit Hardware.....</b>	<b>9</b>
5.1 Assembly Drawing Top Side (with dimensions) .....	9
5.2 GNS 5851 StarterKit Schematic .....	10
5.3 PCB Layout .....	11
<b>6 ORDERING INFORMATION .....</b>	<b>12</b>
<b>7 RELATED DOCUMENTS .....</b>	<b>12</b>
<b>8 DOCUMENT REVISION HISTORY .....</b>	<b>12</b>

## 1 Description of the GNS 5851 StarterKit

The GNS 5851 StarterKit package includes the following items:

- GNS 5851 StarterKit PCB, fully populated and tested
- Aluminium housing (with PCB installed)
- AIS VHF antenna
- USB-Cable (USB-A to Mini-A)

Since the GNS 5851 module has the same pinout as the GNS 5892R and GNS 5894T modules, they share a single StarterKit PCB design. Depending on the production batch, your board might be marked as GNS 5851, GNS 5892R, GNS 5894T or a combination thereof. For the same reason, parts of the board may be unpopulated because they are only significant for other modules.

## 2 USB Driver Installation

The GNS 5851 Starter kit features an FTDI USB-to-UART bridge which may need a manually installed driver to properly work.

### 2.1 Windows 10

If Windows does not recognize the FTDI bridge automatically, the appropriate driver needs to be installed manually. Both the driver and the *Installation Guide* are available from FTDI through the following link under the section *Virtual COM Port Drivers*: <https://ftdichip.com/drivers/vcp-drivers/>

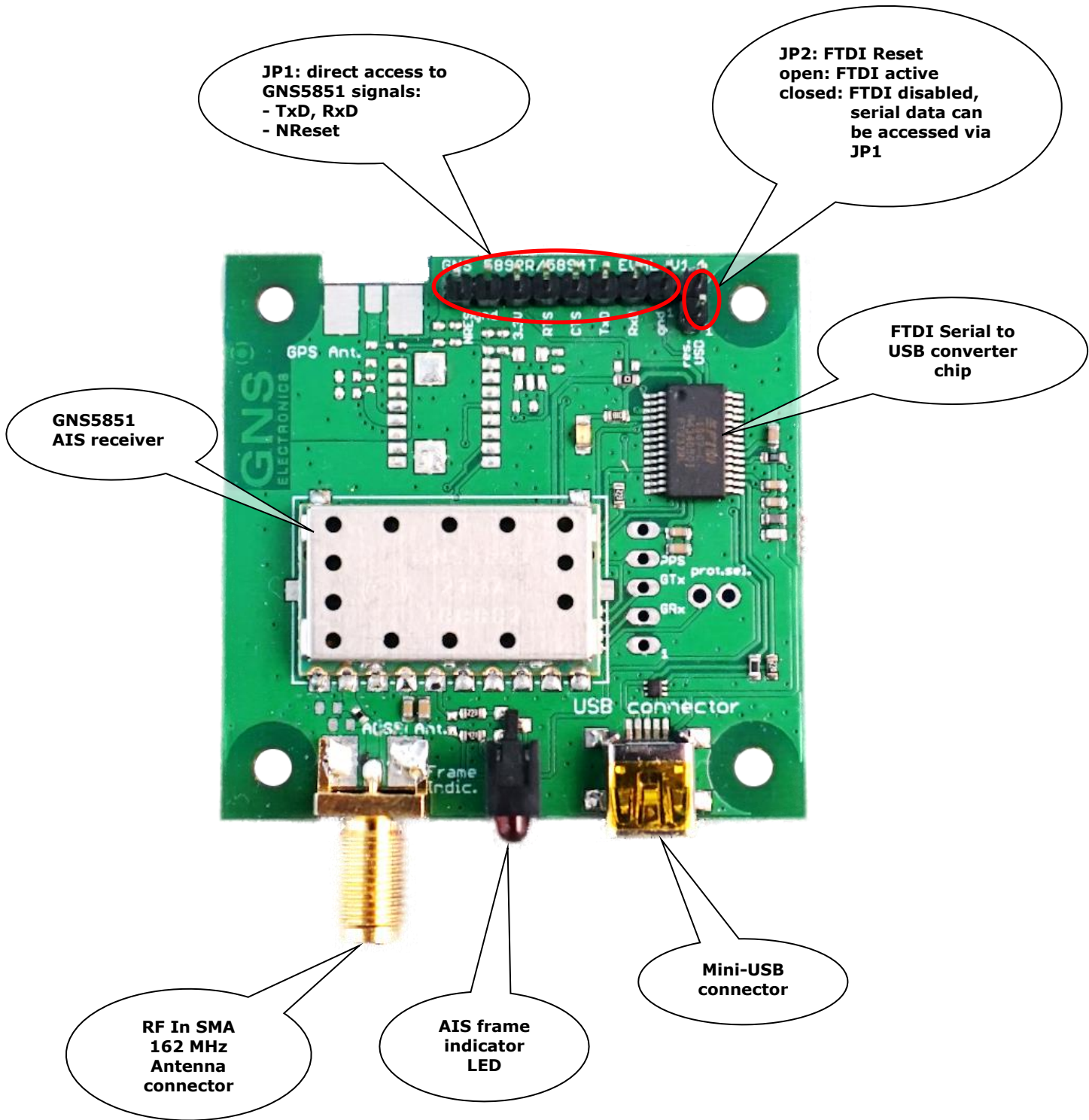
### 2.2 Linux

The FTDI Virtual Com Port (VCP) driver is built into the Linux kernel. VCP devices will appear as /dev/ttyUSBx

### 2.3 MacOS

While GNS-Electronics does not fully support macOS as a development platform, limited driver support is available from FTDI's VCP-Driver web-page: <https://ftdichip.com/drivers/vcp-drivers/>

## 3 GNS5851 StarterKit Board Layout



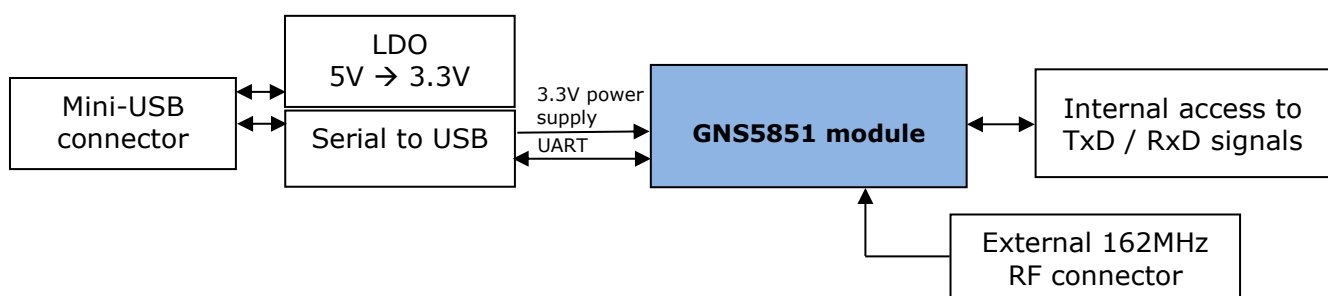
## JUMPER AND CONNECTOR DESCRIPTION

CONNECTOR	PIN	SIGNAL	DESCRIPTION
<b>JP1</b>		1: GND 2: RxD (GNS5851 ser. input) 3: TxD (GNS5851 ser. output) 4: N.U. (marked CTS) 5: N.U. (marked RTS) 6: 3.3V 7: GND 8: /RESET GNS5851, active LOW	Direct access to GNS5851 UART. UART I/O Voltage is 3.3V.
<b>JP2</b>		1: GND 2: \RESET FTDI, active LOW	Open: Operation via USB Port Close: USB to serial converter is disabled, ser. Port (JP1) can be accessed.

## Description of AIS frame indicator

AIS frame indicator	Comment
flashing	AIS frames are received and output via the serial interface.
Off	No data is received

## 4 GNS5851 StarterKit Board Block Diagram



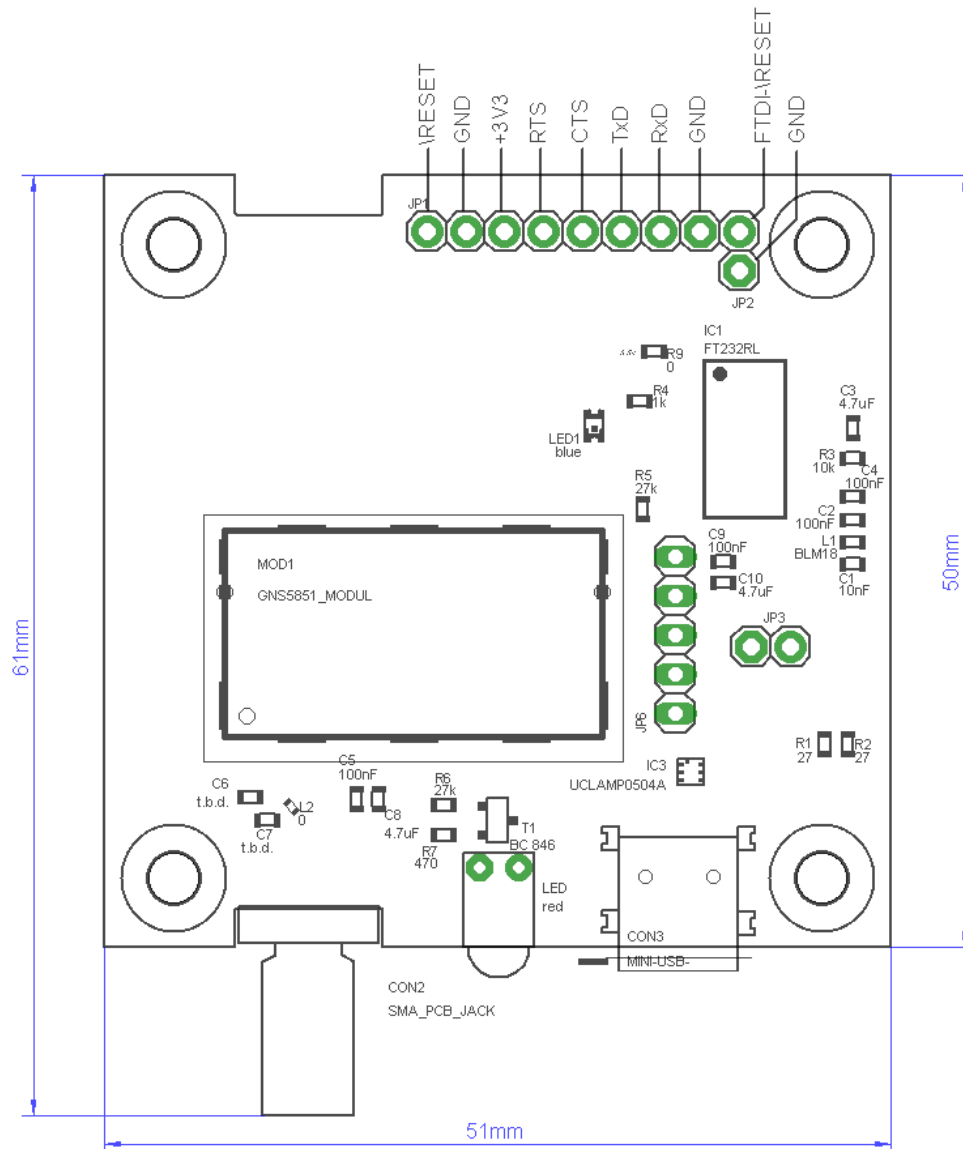
### 4.1 Getting started

1. Connect the antenna to the GNS 5851 StarterKit
2. Connect the GNS 5851 StarterKit via USB to a Windows PC
3. After a few seconds the device is ready for use and is displayed in the device manager as "USB Serial Port" under the category "Ports". Please refer to chapter 2 if the driver is not installed automatically.

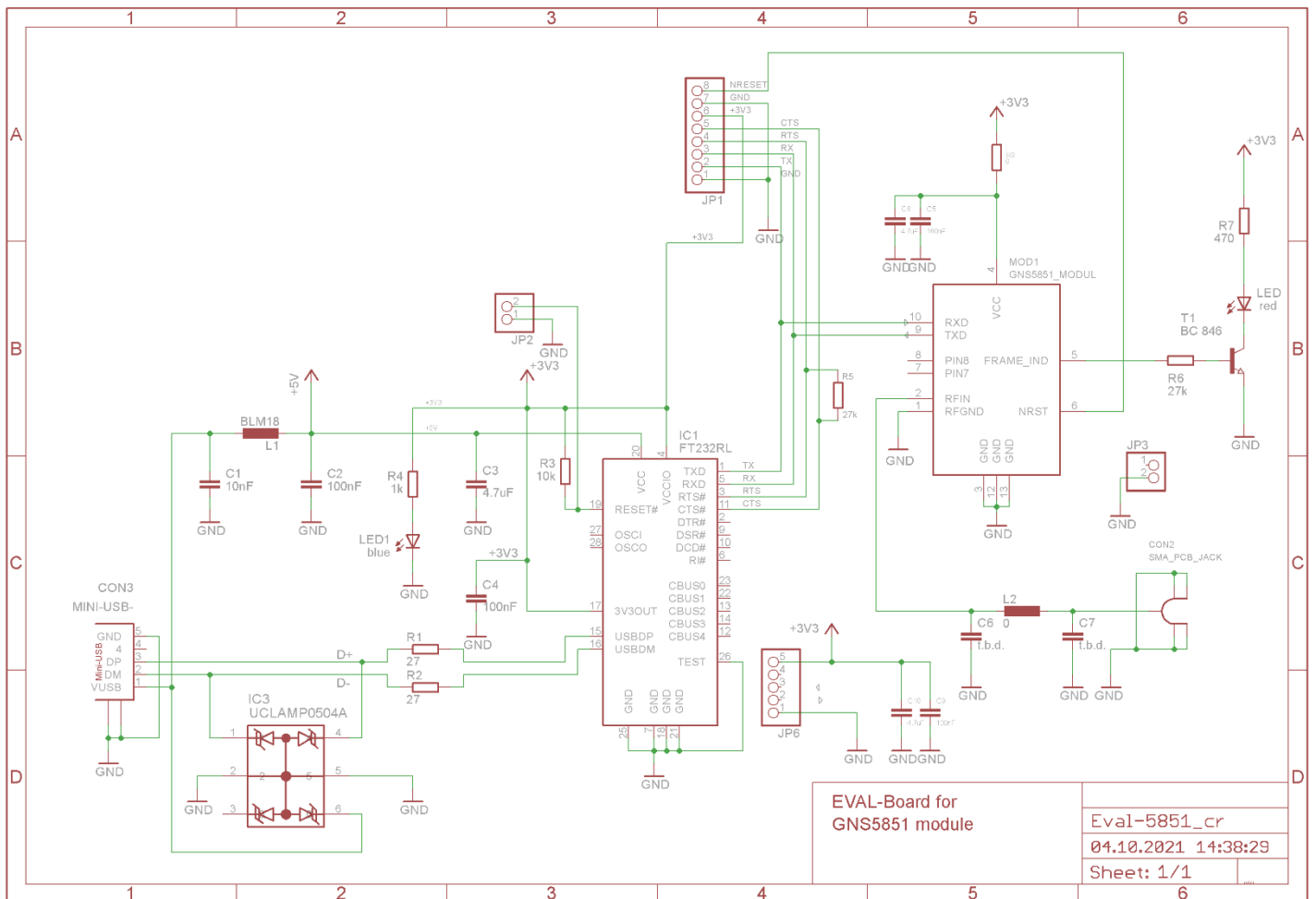


## 5 GNS5851 StarterKit Hardware

### 5.1 Assembly Drawing Top Side (with dimensions)



## 5.2 GNS 5851 StarterKit Schematic



## 5.3 PCB Layout

